
Prepared for **MAPLE LEAF CONVERTING INDUSTRIES LTD.**

Beverage (240mm*240mm) Two Lines napkin machine with two embossing and one color printing

Item	Qua.		Specification
24cm *24cm Two Lines Napkin Machine with two embossing and one color printing	1		Max outer Dia. Of raw paper 1100mm Inner Dia. Of raw paper core 3" Embossing Steel to paper folding type:1/4 Two lines Speed:1200piecs/min with one color printing Tissue Material: one ply:17-26g/s2 Two ply:16-22g/s2 Embossing: Steel to paper Unfolding tissue size: 24*24cm Raw paper width: 480mm

			With Calender roller Parameter setting: touch screen	
--	--	--	--	--

Main Specification

1. Speed: 1200pieces/min with one color printing, 1800sheets/min without color printing
2. Folding Type: 1/4 Type
3. Embossing: steel to paper
4. Bearing: NSK(Japan)
5. Steel: SKD(Japan)
6. PLC: Siemens
7. Frequency Converter Siemens
8. Pneumatic Parts AIRTAC
9. Photoelectrical switch (magic eye) German SICK
10. one color printing
11. color printing roller: ceramic roller
12. With Calender roller
13. Parameter Setting: Touch Screen

- 14. Raw Paper Width: 480mm
- 15. Max outer Dia. Of raw paper 1100mm
- 16. Inner Dia. Of raw paper core 3"
- 17. Tissue Material: one ply:17-26g/s2 Two ply:16-22g/s2
- 18. Unfolding tissue size: 24*24cm
- 19. Mechanic Automatic Tension system
- 20. with Web guiding system

Parameter

Open size of finished product	240mm*240mm
Diameter of Raw Paper Roll	1100mm(other size to be specified)
Inner Diameter of Paper core	76.2mm(3 inch) (other size to be specified)
Capacity	1200pieces/min with one color printing, 1800sheets/min without color printing
Counting Device	Pneumatic Counting
Embossing unit	Steel to Paper

Introduction of main parts

Paper-feeding part

- (1) One Layer and Belt to deliver paper and controlled by Pump;
- (2) Automatic jumbo roll loading
- (3) Raw Paper Manual Adjustment for adjusting jumbo roll left and right
- (4) One shaft for jumbo roll for spare parts is provided; total with the machine two shafts are offered.

Calender part

One set Calender roller

One color Printing Parts

One set ceramic roller for color printing

Embossing Part

- (1) Two sets steel to paper Roller (Patter get confirmation from the buyer)
- (2) Mechanical pressure control

(3) Cotton cloth and paraffin oil Cleaning Device

Folding Part

(1) Leading Paper Roll Function, the folding tension of the fore part adjustable

(2) Counting Device: Pneumatic dislocation type

(3) Capacity: 1200pieces/min with one color printing, 1800sheets/min without color printing

Control Unit

(1) Frequency Conversion Device

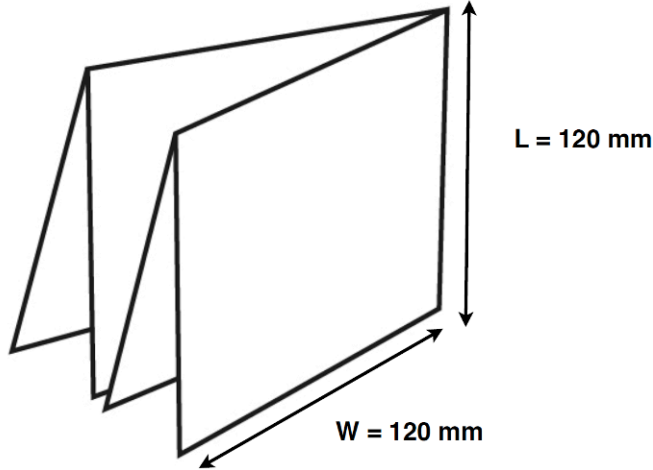
(2) Automatic Counting Function

(3) Emergency Device

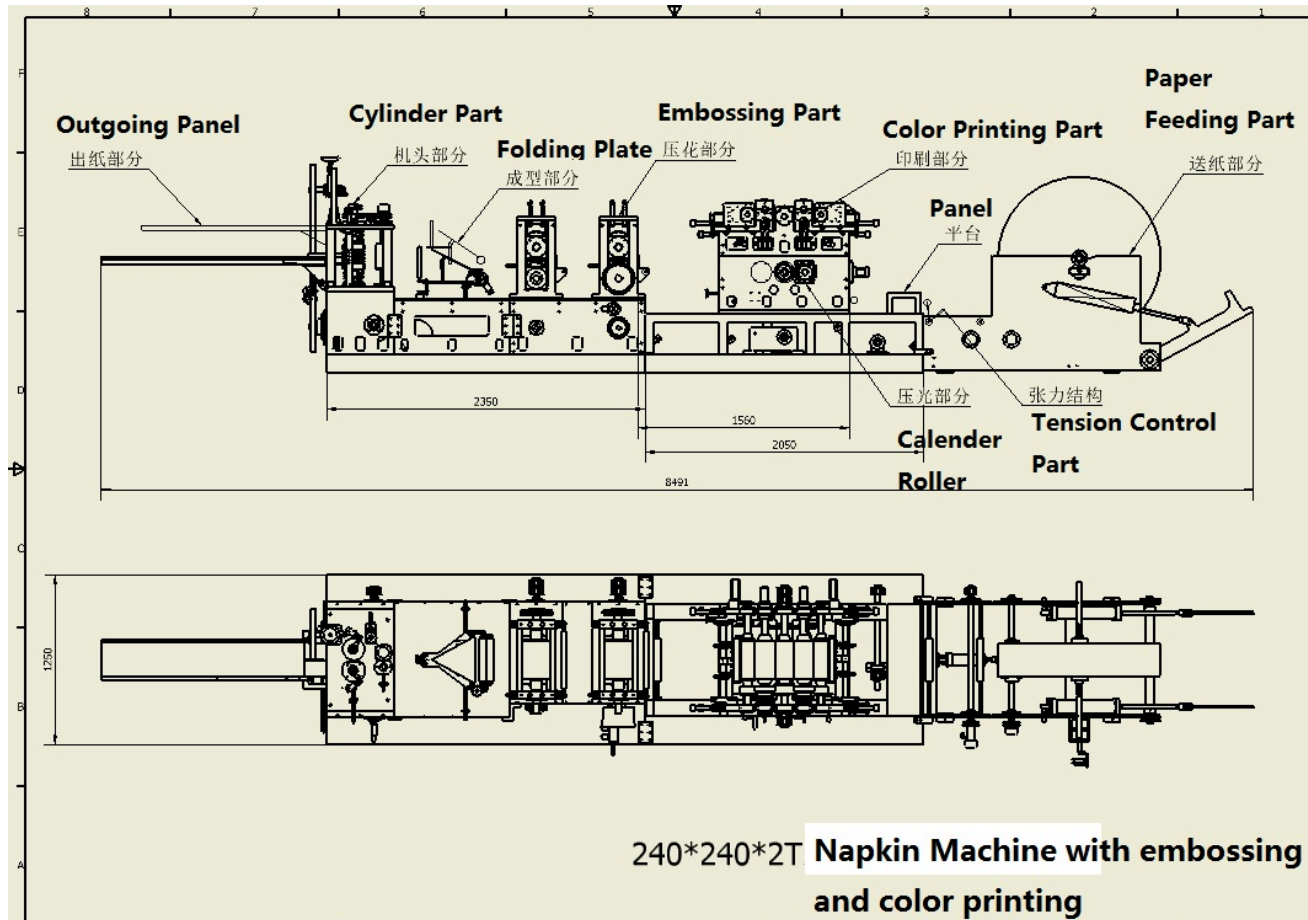
(4) Voltage: AC 480V 60HZ

(5) Air pressure required more than 0.5 MPA (Supplied by the user), Air flow for whole seven sets machine: $4.5\text{m}^3/\text{min}$

Fold Measurement



Outline Drawing



Free Spare Part List

No	Items	specification	Quantity (piece)
1	Male inserter knife	Two Lines 240*240 napkin machine	2
2	Female knife	Two Lines 240*240 napkin machine	2
3	Fork lift	Two Lines 240*240 napkin machine	4
4	Band Saw	Two Lines 240*240 napkin machine	6
5	grinding wheel	Two Lines 240*240 napkin machine	5
6	Shaft for jumbo roll	Two Lines 240*240 napkin machine	1
7	One tool kit	Two Lines 240*240 napkin machine	1

Extra Spare Parts List

No	Item	Specification
1	Spring	For 240* 240 two lines napkin machine Dia:30mm
2	6002 Bearing	For 240* 240 two lines napkin machine
3	Folder Knife Axis	For 240* 240 two lines napkin machine
4	Male Knife Axis	For 240* 240 two lines napkin machine
5	Plastic Male Knife	For 240* 240 two lines napkin machine
6	Small Bearing Block for machine head	For 240* 240 two lines napkin machine
7	Fork Lift	For 240* 240 two lines napkin machine
8	Transmission belt	For 240* 240 two lines napkin machine
9	Belt	For 240* 240 two lines napkin machine
10	Triangle belt	For 240* 240 two lines napkin machine
11	Band saw	For 240* 240 two lines napkin machine

Quantity	Total
4	
8	
4	
4	
100	
4	
16	
7	
5	
2	
16	

12	grinding wheel	For 240* 240 two lines napkin machine
----	----------------	---------------------------------------

16

Total

Electrical Parts and other Parts brand

NO	Name	Brand	Original Place
1	Frequency Panel	Siemens	Germany
2	Motor	Siemens	Germany
3	Pneumatic Parts	Schneider	Germany
4	Knife bearing	NSK	Japan
5	Steel	SKD	Japan
6	Touch Screen	Delta	Taiwan

Export Details

1. Delivery time: 90 work days after down payment
2. Payment Term: 20% deposit by T/T and balance need to be paid after Buyer inspects and approves the machine in Seller's factory.
3. Load port: Shenzhen Port(China)
4. Packing: wooden pallet at the bottom and plastic packing for the machines.
5. Container: 1 x 20 feet container (It depends on the quantity of the machines).
6. Machine installation and operation training: The seller should dispatch professional technicians and engineers to buyer's plant to install the machine and train the workers. Our technician will teach your workers how to do daily maintenance and fix every machine issue which will occur during machine running. The round air ticket, accommodation and 50USD per day salary for technician should be paid by buyer.
7. Warranty period: One year (Except easy damaged parts), we will send our engineer to buyer's factory if there is any machine running problem (not including change the easy damaged parts) for free. If the machine does not work because of easy damaged parts, we will help and explain how to change the easy damaged parts and let the machine work by email or video or phone call.
8. All the extra spare parts on the extra parts list are enough for one year. If not enough, we will send the easy damaged parts as listed on Extra parts list to customers for free.

9. The frame construction material is full metal sheet

10. All mechanical parts must be covered for safety reasons as per the Health and Safety Committee.

11. All parameter and all buttons are in English only and there will not be any names that identify the name of machine manufacturer's