
Prepared for **MAPLE LEAF CONVERTING INDUSTRIES LTD.**

**Junior Tall Fold (330 mm x 150 mm) Two Lines Dispenser
Napkin Machine with embossing**

Item	Qua.		Specification	
330 mm x 150 mm Two Lines Dispenser Napkin Machine with embossing	1		Max outer Dia. Of raw paper 1100mm Inner Dia. Of raw paper core 3" Embossing Steel to paper Two lines Unfold size: 330 mm x 150 mm folded size: 165 mm x 90 mm Capacity:1200pics/min Tissue Material: one ply:17-26g/s2 Two ply:16-22g/s2 Raw Paper width:300mm With Calender roller Parameter setting: touch screen	

Main Specification

1. Max Speed with high quality paper: 1200sheets/min
2. Folding Type: 1/12 Type
3. Embossing: steel to paper
4. Bearing: NSK(Japan)
5. Steel: SKD(Japan)
6. PLC: Siemens
7. Frequency Converter Siemens
8. Pneumatic Parts AIRTAC
9. Photoelectrical switch (magic eye) German SICK
10. With Calender roller
11. Parameter Setting: Touch Screen
12. Raw Paper Width: 300mm
13. Max outer Dia. Of raw paper 1100mm

- 14. Inner Dia. Of raw paper core 3"
- 15. Tissue Material: one ply:17-26g/s2 Two ply:16-22g/s2
- 16. Unfolding tissue size: 33*15cm
- 17. Mechanic Automatic Tension system
- 18. Web guiding system

Parameter

Open size of finished product	330mm*150mm
Diameter of Raw Paper Roll	1100mm(other size to be specified)
Inner Diameter of Paper core	76.2mm(3 inch) (other size to be specified)
Capacity	1200sheets/min
Counting Device	Pneumatic Counting
Embossing unit	Steel to Paper

Introduction of main parts

Paper-feeding part

- (1) One Layer and Belt to deliver paper and controlled by Pump;
- (2) Automatic jumbo roll loading

(3)Raw Paper Manual Adjustment for adjusting jumbo roll left and right

(4) One shaft for jumbo roll for spare parts is provided; total with the machine two shafts are offered.

Calender part

One set Calender roller

Embossing Part

(1)One set steel to paper Roller (Patter get confirmation from the buyer)

(2)Mechanical pressure control

(3) Cotton cloth and paraffin oil Cleaning Device

Folding Part

(1)Leading Paper Roll Function, the folding tension of the fore part adjustable

(2)Counting Device: Pneumatic dislocation type

(3)Capacity: 1200sheets/min

Control Unit

(1)Frequency Conversion Device

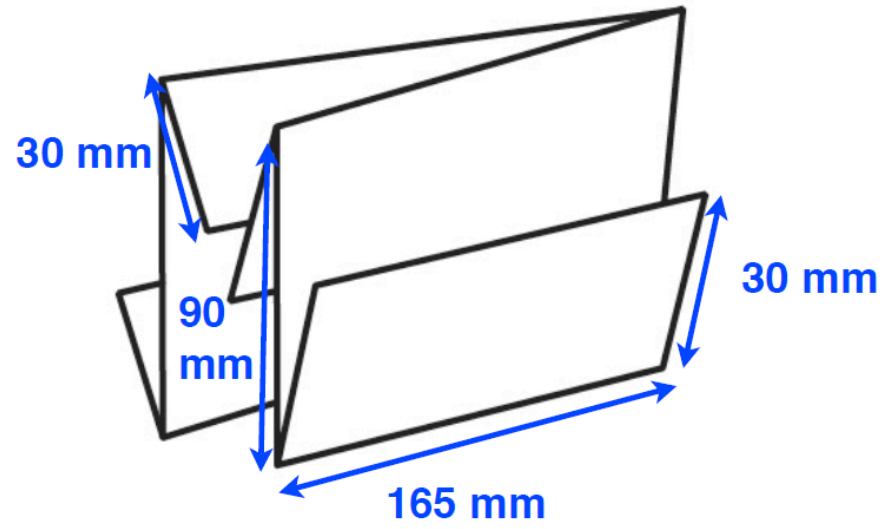
(2)Automatic Counting Function

(3)Emergency Device

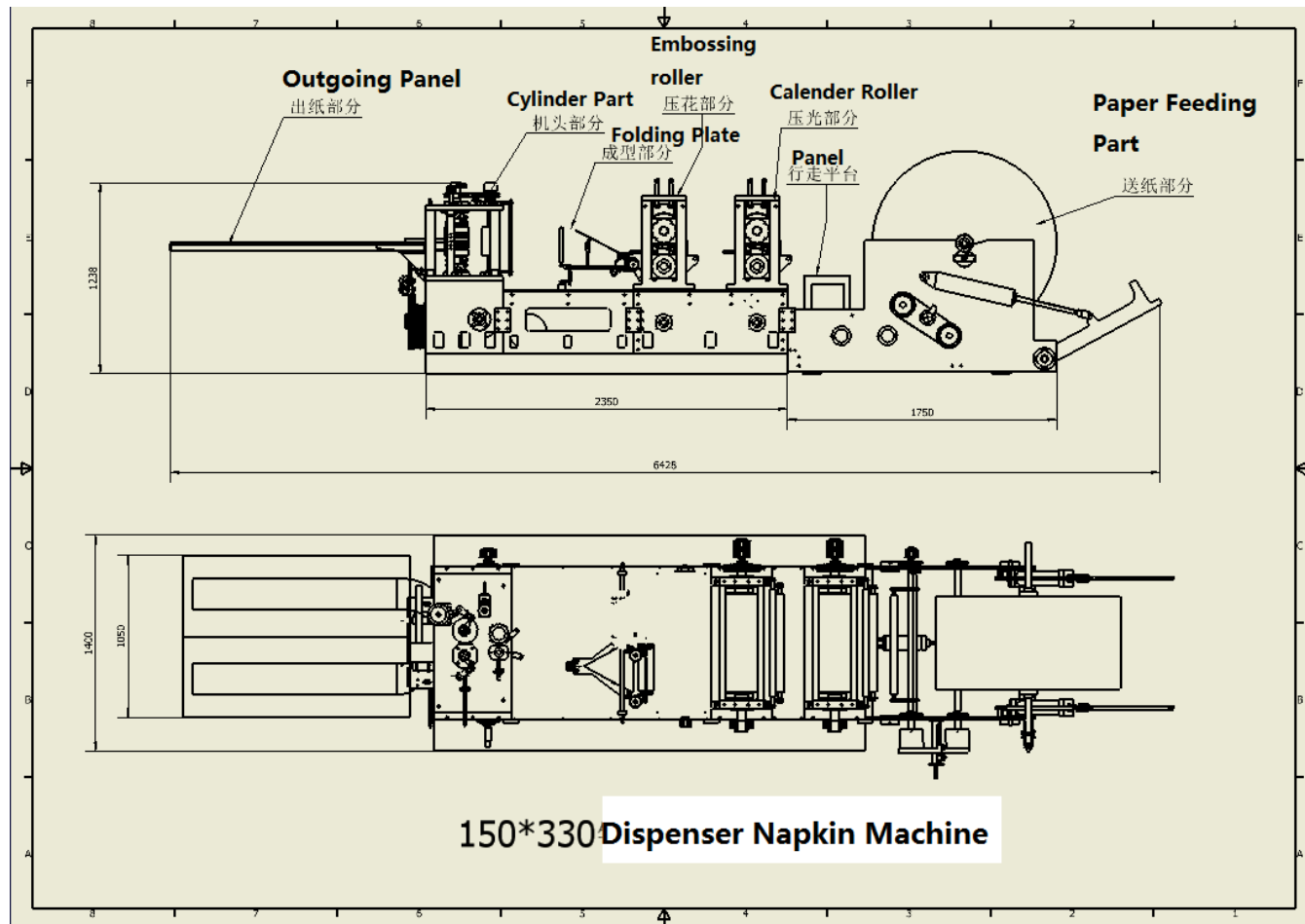
(4)Voltage: AC 480V 60HZ

(5)Air pressure required more than 0.5 MPA (Supplied by the user), Air flow for whole seven sets machine: $4.5\text{m}^3/\text{min}$

Fold Measurement



Outline Drawing



Spare Part List

No	Items	specification	Quantity (piece)
1	Male inserter knife	Two Lines 330 mm x 150 mm Dispenser napkin machine	2
2	Female knife	Two Lines 330 mm x 150 mm Dispenser napkin machine	2
3	Fork lift	Two Lines 330 mm x 150 mm Dispenser napkin machine	4
4	Shaft for jumbo roll	Two Lines 330 mm x 150 mm Dispenser napkin machine	1
5	One tool kit	Two Lines 330 mm x 150 mm Dispenser napkin machine	1

Extra Spare Parts List

No	Item	Specification	Unit Price	Quantity	Total
1	Spring	Two Lines 330 mm x 150 mm Dispenser napkin machine Dia:30mm Dia:30mm	2.5USD	4	10USD
2	6002 Bearing	Two Lines 330 mm x 150 mm Dispenser napkin machine Dia:30mm	3USD	8	24USD
3	Folder Knife Axis	Two Lines 330 mm x 150 mm Dispenser napkin machine Dia:30mm	15USD	4	60USD

4	Male Knife Axis	Two Lines 330 mm x 150 mm Dispenser napkin machine Dia:30mm	6USD	4	24USD
5	Plastic Male Knife	Two Lines 330 mm x 150 mm Dispenser napkin machine Dia:30mm	2USD	100	200USD
6	Small Bearing Block for machine head	Two Lines 330 mm x 150 mm Dispenser napkin machine Dia:30mm	8USD	4	32USD
7	Fork Lift	Two Lines 330 mm x 150 mm Dispenser napkin machine Dia:30mm	20USD	16	320USD
8	Transmission belt	Two Lines 330 mm x 150 mm Dispenser napkin machine Dia:30mm	45USD	7	315USD
9	Belt	Two Lines 330 mm x 150 mm Dispenser napkin machine Dia:30mm	35USD	5	175USD
10	Triangle belt	Two Lines 330 mm x 150 mm Dispenser napkin machine Dia:30mm	31USD	2	62USD
11	Bottom Knife	Two Lines 330 mm x 150 mm Dispenser napkin machine	11USD	8	88USD
12	Fixed Knife Base	Two Lines 330 mm x 150 mm Dispenser napkin machine	60USD	1	60USD
13	Oblique fixed knife	Two Lines 330 mm x 150 mm Dispenser napkin machine	6USD	10	60USD
Total				1430USD	

Electrical Parts and other Parts brand

NO	Name	Brand	Original Place
1	Frequency Panel	Siemens	Germany
2	Motor	Siemens	Germany
3	Pneumatic Parts	Schneider	Germany
4	Knife bearing	NSK	Japan
5	Steel	SKD	Japan
6	Touch Screen	Delta	Taiwan

Export Details

1. Delivery time: 90 work days after down payment

2. Payment Term: 20% deposit by T/T and balance need to be paid after Buyer inspects and approves the machine in Seller's factory.
3. Load port: Shenzhen Port(China)
4. Packing: wooden pallet at the bottom and plastic packing for the machines.
5. Container: 1 x 20 feet container (It depends on the quantity of the machines).
6. Machine installation and operation training: The seller should dispatch professional technicians and engineers to buyer's plant to install the machine and train the workers. Our technician will teach your workers how to do daily maintenance and fix every machine issue which will occur during machine running. The round air ticket, accommodation and 50USD per day salary for technician should be paid by buyer.
7. Warranty period: One year (Except easy damaged parts), we will send our engineer to buyer's factory if there is any machine running problem (not including change the easy damaged parts) for free. If the machine does not work because of easy damaged parts, we will help and explain how to change the easy damaged parts and let the machine work by email or video or phone call.
8. All the extra spare parts on the extra parts list are enough for one year. If not enough, we will send the easy damaged parts as listed on Extra parts list to customers for free.
9. The frame construction material is full metal sheet.
10. All mechanical parts must be covered for safety reasons as per the Health and Safety Committee.
11. All parameter and all buttons are in English only and there will not be any names that identify the name of machine manufacturer's