
Prepared for MAPLE LEAF CONVERTING INDUSTRIES LTD.

Junior Off Fold (30cm *33cm) Two Lines 1/6 fold Vacuum Napkin machine with embossing and two color printing

Item	Qua.		Specification
30cm *33cm Two Lines Vacuum Napkin Machine with embossing and two color printing Six fold	1		Max outer Dia. Of raw paper 1100mm Inner Dia. Of raw paper core 3" Embossing Steel to paper folding type:1/6 Two Lines Capacity:800pieces/min without color printing 500sheets/min with two color printing Tissue Material: one ply:18-22g/s2 Two ply:13-15g/s2 Power: 5.5KW Raw paper width:660mm With Calender roller

			Parameter setting: touch screen	
--	--	--	------------------------------------	--

Main Specification

1. Max Speed with high quality paper: 500pieces/min with two color printing, 800sheets/min without color printing
2. Folding Type: Vacuum 1/6 fold Type
3. Embossing: steel to paper
4. Bearing: NSK(Japan)
5. Steel: SKD(Japan)
6. PLC: Siemens
7. Frequency Converter Siemens
8. Pneumatic Parts AIRTAC
9. Photoelectrical switch (magic eye) German SICK
10. Two color printing
11. color printing roller: ceramic roller
12. With Calender roller
13. Parameter Setting: Touch Screen
14. Raw Paper Width: 660mm
15. Max outer Dia. Of raw paper 1100mm
16. Inner Dia. Of raw paper core 3"
17. Tissue Material: one ply:17-26g/s2 Two ply:16-22g/s2
18. Unfolding tissue size: 30*33cm
19. Mechanic Automatic Tension system

Parameter

Open size of finished product	300mm*330mm
Diameter of Raw Paper Roll	1100mm(other size to be specified)
Inner Diameter of Paper core	76.2mm(3 inch) (other size to be specified)
Capacity	500pieces/min with two color printing, 800sheets/min without color printing
Counting Device	Pneumatic Counting
Embossing unit	Steel to Paper

Introduction of main parts

Paper-feeding part

- (1) One Layer and Belt to deliver paper and controlled by Pump;
- (2) Automatic jumbo roll loading
- (3) Raw Paper Manual Adjustment for adjusting jumbo roll left and right
- (4) One shaft for jumbo roll for spare parts is provided; total with the machine two shafts are offered.

Calender part

One set Calender roller

Two color Printing Parts

Two sets ceramic roller for color printing

Embossing Part

- (1) One set steel to paper Roller (Patter get confirmation from the buyer)
- (2) Mechanical pressure control
- (3) Cotton cloth and paraffin oil Cleaning Device

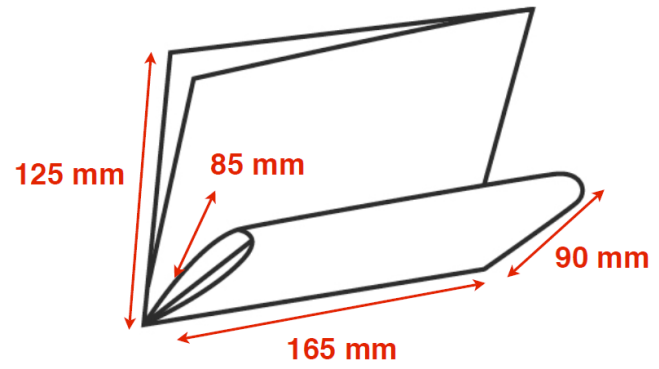
Folding Part

- (1) Leading Paper Roll Function, the folding tension of the fore part adjustable
- (2) Counting Device: Pneumatic dislocation type
- (3) Capacity: 500 pieces/min with two color printing, 800 sheets/min without color printing

Control Unit

- (1) Frequency Conversion Device
- (2) Automatic Counting Function
- (3) Emergency Device
- (4) Voltage: AC 480V 60HZ
- (5) Air pressure required more than 0.5 MPA (Supplied by the user), Air flow for whole seven sets machine: $4.5\text{m}^3/\text{min}$

Fold Measurement



Off-set 1/6 fold (Dispenser
Fold): 300 mm (L) x 330 mm (W)

Spare Part List

No	Items	specification	Quantity (piece)
1	Fixed knife	Two Lines 300*330 Vacuum napkin machine	2
2	Bottom knife	Two Lines 300*330 Vacuum napkin machine	2
3	Male Knife	Two Lines 300*330 Vacuum napkin machine	2
4	Shaft for jumbo roll	Two Lines 300*330 Vacuum napkin machine	1
5	One tool kit	Two Lines 300*330 Vacuum napkin machine	1

Extra Spare Parts List

No	Item	Specification
1	Bottom Knife	Two Lines 300*330 Vacuum napkin machine

Quantity
4

2	cylinder for Counting function	Two Lines 300*330 Vacuum napkin machine	2	62
3	Slitting Round Knife	Two Lines 300*330 Vacuum napkin machine	8	
4	Fixed Knife	Two Lines 300*330 Vacuum napkin machine	1	
5	Fork Lift	Two Lines 300*330 Vacuum napkin machine	20	
6	Transmission belt	Two Lines 300*330 Vacuum napkin machine	7	
7	Belt	Two Lines 300*330 Vacuum napkin machine	5	
8	Triangle belt	Two Lines 300*330 Vacuum napkin machine	2	
Total				

Electrical Parts and other Parts brand

NO	Name	Brand	Original Place
1	Frequency Panel	Siemens	Germany

2	Motor	Siemens	Germany
3	Pneumatic Parts	Schneider	Germany
4	Knife bearing	NSK	Japan
5	Steel	SKD	Japan
6	Touch Screen	Delta	Taiwan

Export Details

1. Delivery time: 90 work days after down payment
2. Payment Term: 20% deposit by T/T and balance need to be paid after Buyer inspects and approves the machine in Seller's factory.
3. Load port: Shenzhen Port(China)
4. Packing: wooden pallet at the bottom and plastic packing for the machines.

5. Container: 1 x 20 feet container (It depends on the quantity of the machines).
6. Machine installation and operation training: The seller should dispatch professional technicians and engineers to buyer's plant to install the machine and train the workers. Our technician will teach your workers how to do daily maintenance and fix every machine issue which will occur during machine running. The round air ticket, accommodation and 50USD per day salary for technician should be paid by buyer.
7. Warranty period: One year (Except easy damaged parts), we will send our engineer to buyer's factory if there is any machine running problem (not including change the easy damaged parts) for free. If the machine does not work because of easy damaged parts, we will help and explain how to change the easy damaged parts and let the machine work by email or video or phone call.
8. All the extra spare parts on the extra parts list are enough for one year. If not enough, we will send the easy damaged parts as listed on Extra parts list to customers for free.
9. The frame construction material is full metal sheet.
10. All mechanical parts must be covered for safety reasons as per the Health and Safety Committee.
11. All parameter and all buttons are in English only and there will not be any names that identify the name of machine manufacturer's